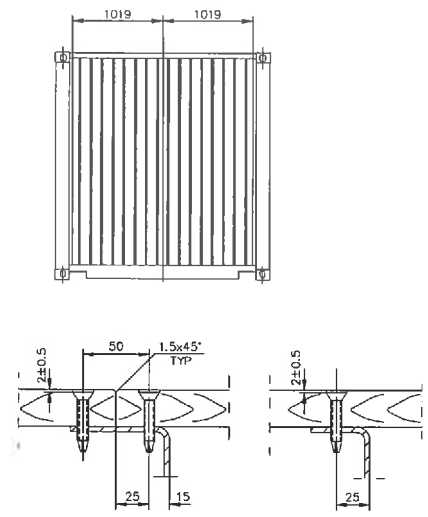
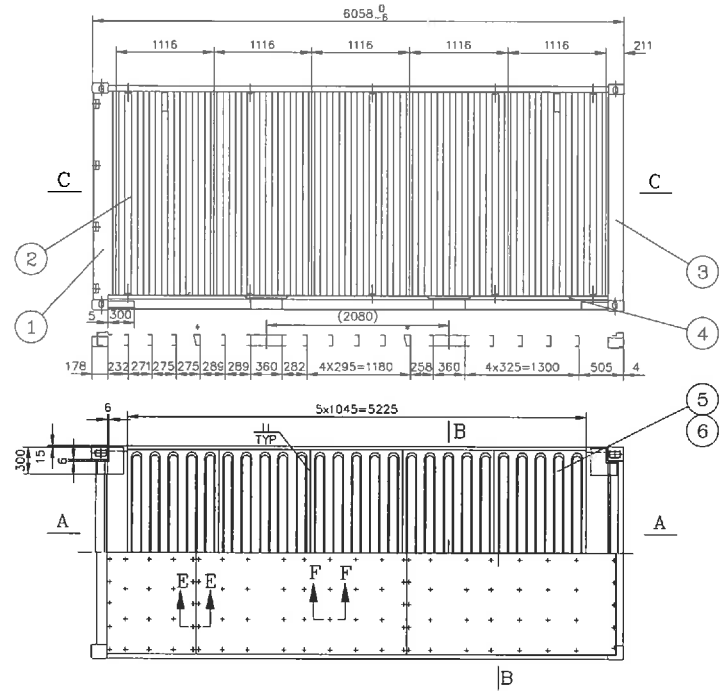
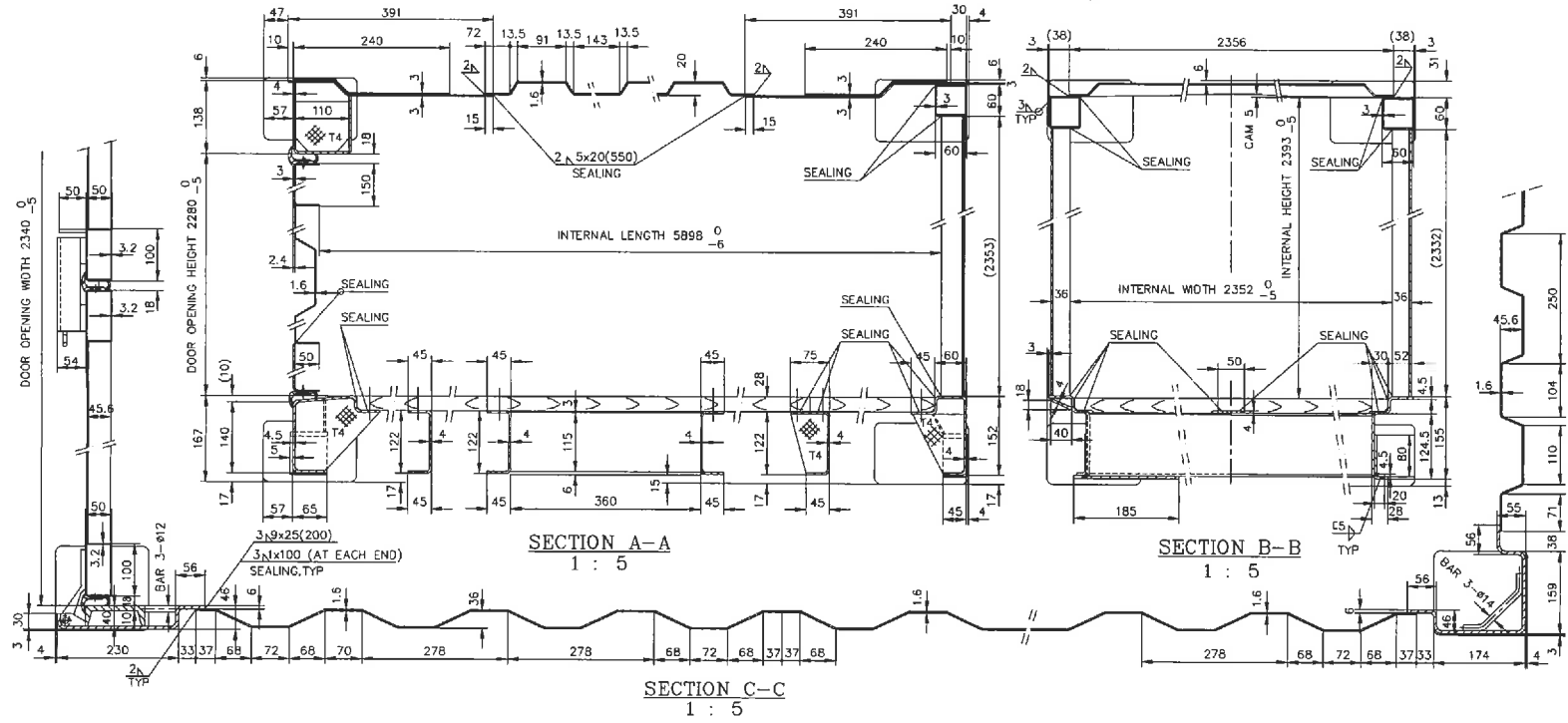


SECTION D-D



SECTION E-E  
1 : 2

SECTION F-F  
1 : 2



SECTION A-A  
1 : 5

SECTION B-B  
1 : 5

SECTION C-C  
1 : 5

CLASSIFICATION		DIMENSION	
EXTERNAL	LENGTH	6058 <sup>0</sup> <sub>-6</sub>	19' - 10 1/2" <sup>0</sup> <sub>-15/64"</sub>
	WIDTH	2438 <sup>0</sup> <sub>-5</sub>	8' - 6" <sup>0</sup> <sub>-3/16"</sub>
	HEIGHT	2591 <sup>0</sup> <sub>-5</sub>	8' - 6" <sup>0</sup> <sub>-3/16"</sub>
INTERNAL	LENGTH	5898 <sup>0</sup> <sub>-6</sub>	19' - 4 13/64" <sup>0</sup> <sub>-15/64"</sub>
	WIDTH	2352 <sup>0</sup> <sub>-5</sub>	7' - 8 19/32" <sup>0</sup> <sub>-3/16"</sub>
	HEIGHT	2393 <sup>0</sup> <sub>-5</sub>	7' - 10 7/32" <sup>0</sup> <sub>-3/16"</sub>
DOOR OPENING	WIDTH	2340 <sup>0</sup> <sub>-5</sub>	7' - 8 1/8" <sup>0</sup> <sub>-3/16"</sub>
	HEIGHT	2280 <sup>0</sup> <sub>-5</sub>	7' - 5 49/64" <sup>0</sup> <sub>-3/16"</sub>
INTERNAL CUBIC CAPACITY		33.2 M <sup>3</sup>	1170 FT <sup>3</sup>

MAX GROSS WEIGHT	30480 KG	67200 LBS
TARE WEIGHT	2040 KG	4500 LBS
MAX PAY LOAD	28440 KG	62700 LBS
STACKING TEST LOAD	86400 KG	190480 LBS
FLOOR STRENGTH	7260 KG	16000 LBS

6	MARKING ARRANGEMENT		1
5	ROOF PANEL		5
4	BASE ASSEMBLY		1
3	FRONT END ASSEMBLY		1
2	SIDE WALL ASSEMBLY		2
1	REAR END ASSEMBLY		1
ITEM	DESCRIPTION	DWG NO.	ISSUE QTY

TITLE: 20'x8'x8'6" GENERAL ARRANGEMENT			
CUSTOMER:	SCALE: 1 : 30		
DESIGNED BY:	WEIGHT: KG. QTY.: 1		
CHECKED BY:	DWG No.: 03FE20C-16G		
APPROVED BY:			
SHEET 1	OF 1	SHEETS	ISSUE: 16A-05